

Evaporator Assemblies to suit RED DOT

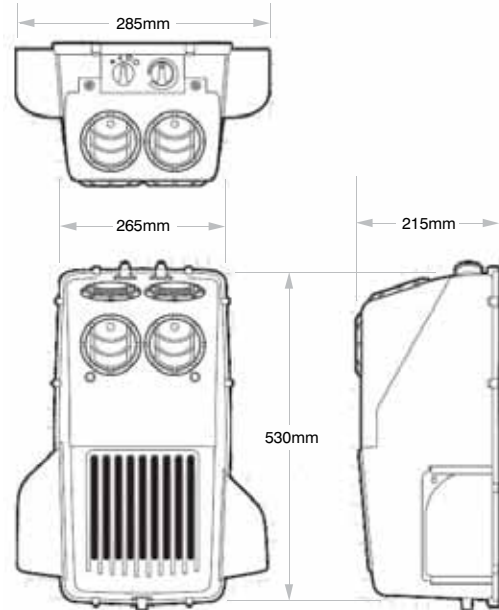
R68400P (12V)

Red Dot Wall Mount Evaporator Assembly
Medium to Heavy Duty Trucks, Agricultural, Construction, Industrial

- Cooling: 22,300 BTU/Hr
- Air Flow: 325CFM (552m³/h)
- Weight: 7.3 kg
- Plumbing Cover: RD235150P
- Floor Support: RD236730P
- R61600P - Rooftop condenser recommended by Red Dot



R6840024P (24V)



| Part No. | Description | Red Dot Ref. No. | Page No. |
|-----------|--------------------|------------------|----------|
| RD591940P | Motor Assembly 12V | 73R5572 | N/A |
| RD568680P | TX Valve | 71R8310 | 495 |
| RD412536P | Thermostat | 71R2250 | 522 |
| RD236830P | Framed Air Filter | 78R5291 | 221 |

| Part No. | Description | Red Dot Ref. No. | Page No. |
|-----------|---------------------------|------------------|----------|
| RD598330P | 3 Speed Rotary Fan Switch | 71R1160 | 481 |
| RD536470P | Resistor | 71R1450 | 482 |
| RD584360P | Louvre | 72R3120 | 369 |

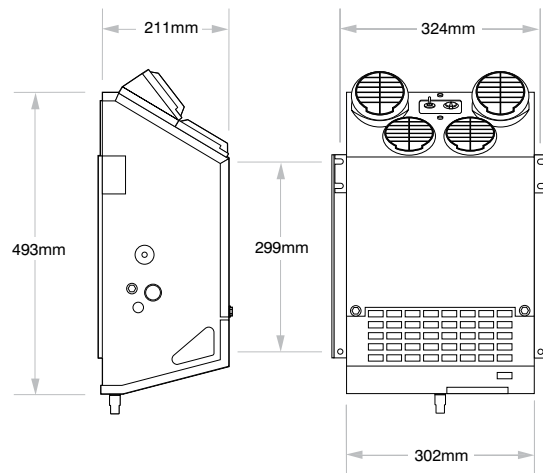
R78300P (12V)

Red Dot Wall Mount Evaporator Assembly
Medium to Heavy Duty Trucks, Agricultural, Construction, Industrial

- Cooling: 17,180 BTU/Hr
- Air Flow: 260CFM (442m³/h)
- Weight: 11.5kg
- Floor Mount Kit: RD213980P
- Replacement Core: RD213160P
- R61600P - Rooftop condenser recommended by Red Dot



R7830024P (24V)



| Part No. | Description | Red Dot Ref. No. | Page No. |
|------------|-----------------|------------------|----------|
| RD565261P | Motor 12V | 73R0402 | 7 |
| RD5482724P | Motor 24V | 73R0404 | 12 |
| RD536470P | Resistor | 71R1450 | 482 |
| RD213160P | Evaporator Core | 76R6350 | 242 |
| RD568680P | TX Valve | 71R8301 | 495 |

| Part No. | Description | Red Dot Ref. No. | Page No. |
|-----------|----------------------|------------------|----------|
| RD412536P | Thermostat | 71R2250 | 522 |
| RD559280P | Knob | 71R4040 | 483 |
| RD552230P | Angled Louvre | 72R3110 | 369 |
| RD552231P | Louvre | 72R3100 | 369 |
| RD370990P | Recirculation Filter | 78R5390 | 222 |